



# DNH

HEAD OFFICE, NORWAY

**DNH AS**

Phone..... + 47 35 98 56 00

Fax..... + 47 35 98 56 10

E-mail..... dnh@dnh.no

Web-site..... www.dnh.no

ENGLAND

**DNH WW Ltd**

Phone..... + 44 1908 275 000

Fax..... + 44 1908 275 100

E-mail..... dnh@dnh.co.uk

GERMANY

**DNH GmbH**

Phone... + 49 040 6569 30-0

Fax..... + 49 040 6569 30-30

E-mail..... dnh@dnh.de

USA

**DNH Speakers Inc**

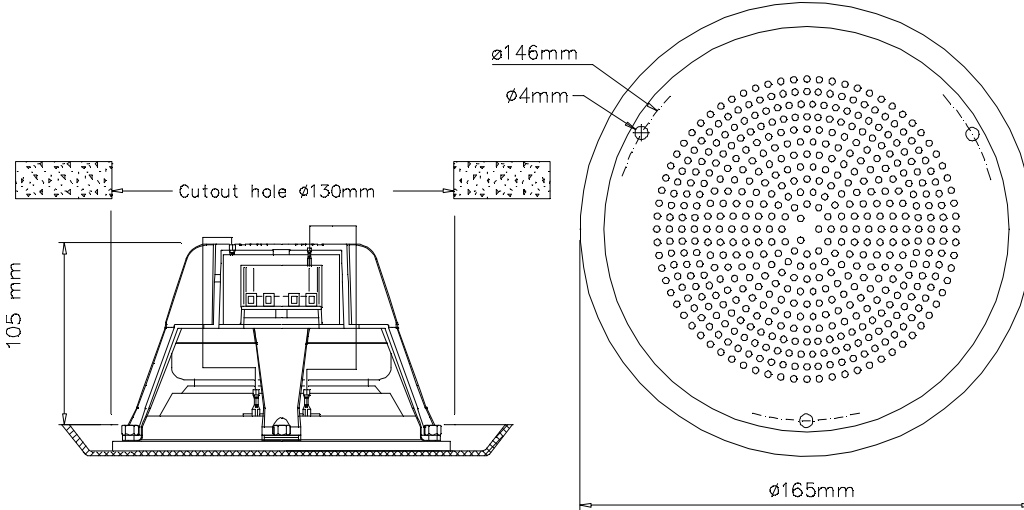
Phone..... + 1 484 494 5790

Fax..... + 1 484 494 5793

E-mail..... dnh@dnhspeakers.com

## B-560(T)

ISO 9001 CERTIFIED

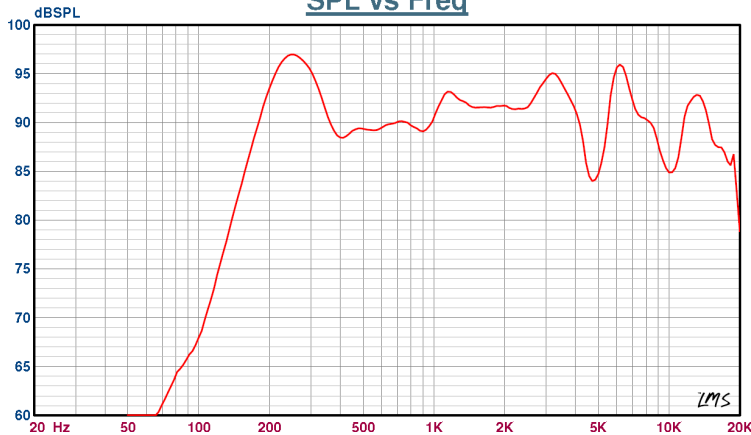


Transformer:  
 Combined  
 70/100Volt line  
 White : Red 100 V  
 White : Green 70 V

Secondary nominal  
 tappings:  
 C : 6 6,0 W  
 C : 3 3,0 W  
 C : 1,5 1,5 W  
 C : 0,5 0.5 W

### Sound pressure levels at different frequencies at 1W/1m

#### SPL vs Freq



Material / Color ..... Aluminum / RAL9010  
 Mounting ..... 3 screws  
 Termination ..... Spring clamps  
 Weight w/ transformer ..... 0,8 kg  
 IP-rating .....  
 Max / min amb temp ..... 90°C / -20°C  
 Rated / max power ..... 6 W / 15 W  
 SPL 1W/1m ..... 90 dB  
 SPL rated power ..... 97 dB  
 Effective freq range ..... 130 – 20000 Hz  
 Dispersion (-6dB) 1kHz / 4kHz ..... 170° / 60°  
 Directivity factor, Q .....  
 Options ..... Impedances, colors, labels

## Installation, Operation and Maintenance Procedures

- Connect to terminal. Install loudspeaker grill by screws.
- For optimum performance, always use the correct voltage / power and operate within the frequency limits as stated.
- Take care when loudspeaker is energized.
- This loudspeaker is supplied with a 2 year warranty against defective materials and workmanship.



DNH reserves the right to alter specifications without notice

Rev. 11.10.2011