



DNH^{AS}

N-3770 Kragerø
NORWAY

Phone: (47) 35 98 56 00

Fax: (47) 35 98 56 10

E-mail: dnh@dnh.no

Web-site:..... www.dnh.no

ISO 9001 CERTIFIED

BL-550(T)

DNH WW Ltd. Phone:(44) 1908 275 000

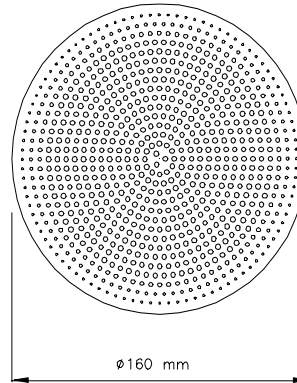
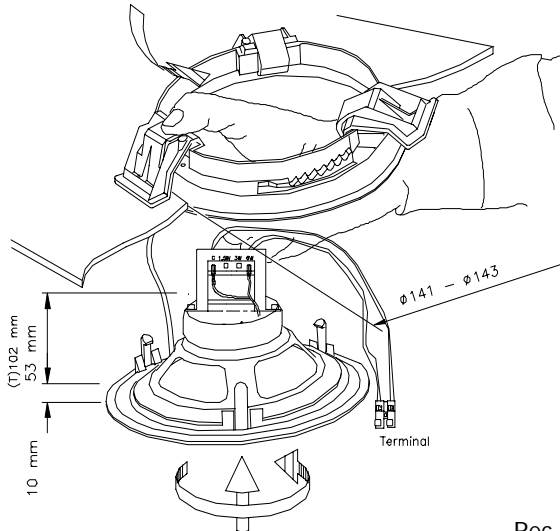
England Fax:(44) 1908 275 100

E-mail: dnh@dnh.co.uk

DNH GmbH Phone: (49) 040 6569 30-0

Germany Fax:(49) 040 6569 30-30

E-mail: dnh@dnh.de

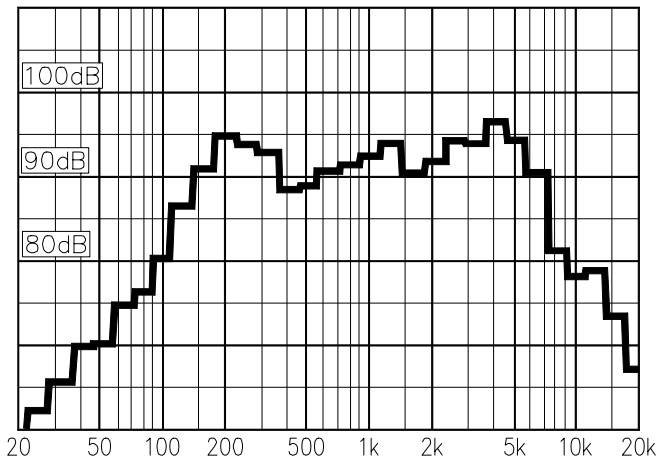


Transformer:
Combined
50/100Volt line
White : Red 100 V
White : Green 50 V

Secondary nominal
tappings:
C : 6 6,0 W
C : 3 3,0 W
C : 1,5 1,5 W
C : 0,5 0.5 W

Rec. ceiling hole: $\varnothing 141 - \varnothing 143$ mm

1W/1m Pink Noise 1/3 octave bands



Material / Color ABS / RAL9010
Mounting 3 hooks, screws and nail
Termination Spring clamps
Weight (1,5 lb) 0,7 kg
IP-rating
Max / min amb temp (194°F / -4°F) 90°C / -20°C
Rated / max power 6 W / 6 W
SPL 1W/1m..... 90 dB
SPL rated power 97 dB
Effective freq range..... 130 – 15000 Hz
Dispersion (-6dB) 1kHz / 4kHz 150° / 50°
Directivity factor, Q
Options Impedances, colors, labels

Installation, Operation and Maintenance Procedures

- When mounting the loudspeaker please ensure that it is re-assembled in the same manner in which it was received.
- Install outer ring into the hole by pushing down 3 clips. Secure the ring with the 3 screws Use nail to prevent the ring from turning. Connect cable to terminal. Screw the loudspeaker grill clockwise into fixed position.
- For optimum performance, always use the correct voltage / power and operate within the frequency limits as stated.
- Take care when loudspeaker is energized (100 V).
- This loudspeaker is supplied with a 2 year warranty against defective workmanship.



DNH reserves the right to alter specifications without notice.

Rev. 04.01.2005