

DESK/WALL MASTER STATION



when communication is **critical**

FEATURES

- Combined wall and desk master station with full access to all features in STENTOFON AlphaCom E exchange
- 10 programmable single touch keys with name tags
- Selectable private / open mode
- Electret microphone with automatic sensitivity adjustment
- 1W loudspeaker
- Volume control bar

DESCRIPTION

This combined desk top and wall mount master station gives full access to all features in the STENTOFON AlphaCom E exchange. The station includes programmable single touch keys with name tags for each key. The station is also equipped with a private / open switch for choosing between direct incoming calls and announcement of calls by a ringing tone.

An 1W (63 Ohm) loudspeaker is provided along with a volume control bar. Further, the station's electret microphone automatically adjusts its sensitivity according to the input level. When in conversation, the station's red lamp lights to indicate that the microphone is live.

The station must be provided with a cable for connection to a wall socket. Alternative cable lengths and wall plugs are available (see next page). Required cable must be ordered separately. A bracket is included for wall mounting of the station.

Two pair twisted telephone cable (0.5 mm² / 24 AWG) is required between the exchange and the station, which can be positioned up to 1400 meters / 4600 feet away from the exchange (maximum 240 Ohm loop resistance). Longer distances are possible with heavier wires.

SPECIFICATIONS

| | |
|-------------------------|--|
| Order Number | 1007036210 |
| Operation Voltage | Powered from exchange |
| Cable Requirements | 2 pair twisted cable 0.5 mm ² / 24 AWG. (Max. loop resistance 240 Ohm) |
| Temperature Range | 0° C to +40° C, +32° F to +104° F |
| Humidity Range | 10% - 85% RH (non condensing) |
| Dimensions: (W x H x D) | 168 x 75 x 176 mm 6.61" x 2.95" x 6.93" |



Ring Communications (UK) Ltd
Newmarket Business Centre
341 Exning Road
Newmarket
Suffolk
United Kingdom

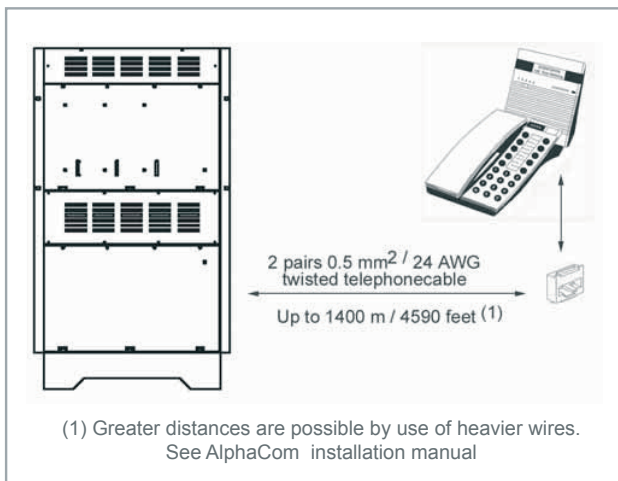
Tel: +44 (0)1638 660 629
e-mail: sales@ringuk.com
web: www.ringuk.co.uk

| ORDER NUMBER | DESCRIPTION | SHIP WEIGHT |
|--------------------------|---|-----------------------|
| 1007036210 | Desk/Wall Master Station | 0.510 kg/1 lb 2 oz |
| Supplementary equipment: | | |
| EPKAB 98510 | Station Cable, 3 meters / 10 feet, modular jack plug | 50 g / 2 oz |
| EPKAB 98515 | Station Cable, 0.5 meter / 20 inches, modular jack plug | 50 g / 2 oz |

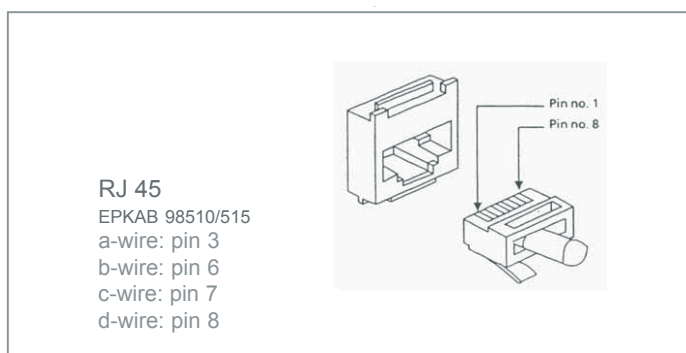
DESK/WALL MASTERSTATION

| | |
|---------------------------|--|
| Finish | Grey/Black ABS Plastic with structure, MT 1055 |
| Loudspeaker Output | 1 W (63 Ohm) |
| Loudspeaker Impedance | 63 Ohm |
| Frequency Range | 300 - 5000 Hz |
| Microphone Output Voltage | 100/300 mV |
| Microphone Preamp. | 1000 Ohm |
| Output Impedance | Modular jack |
| Indicator | LED (red) |

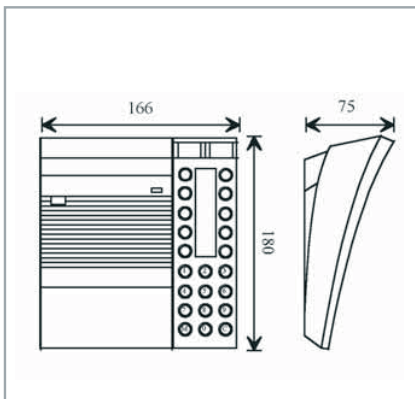
WIRING



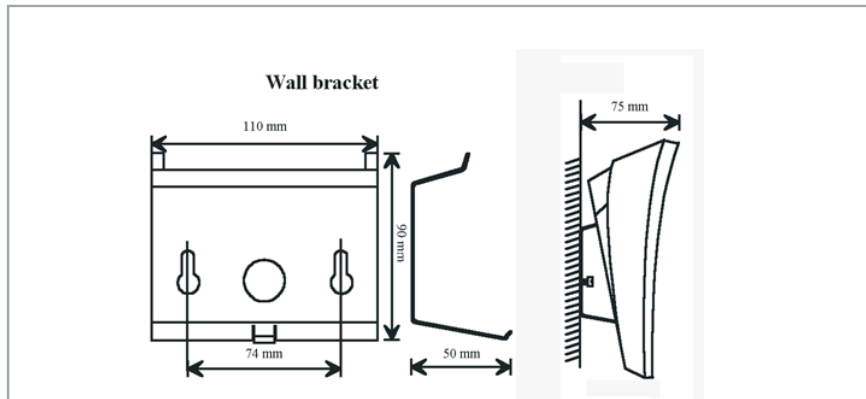
PIN CONFIGURATION



DIMENSION DRAWING



WALL BRACKET DRAWING



ORDER NUMBER

1007036210

DOC NO

A100K10021 v.2.0

sales@ringuk.com

